

D45 SYSTEM

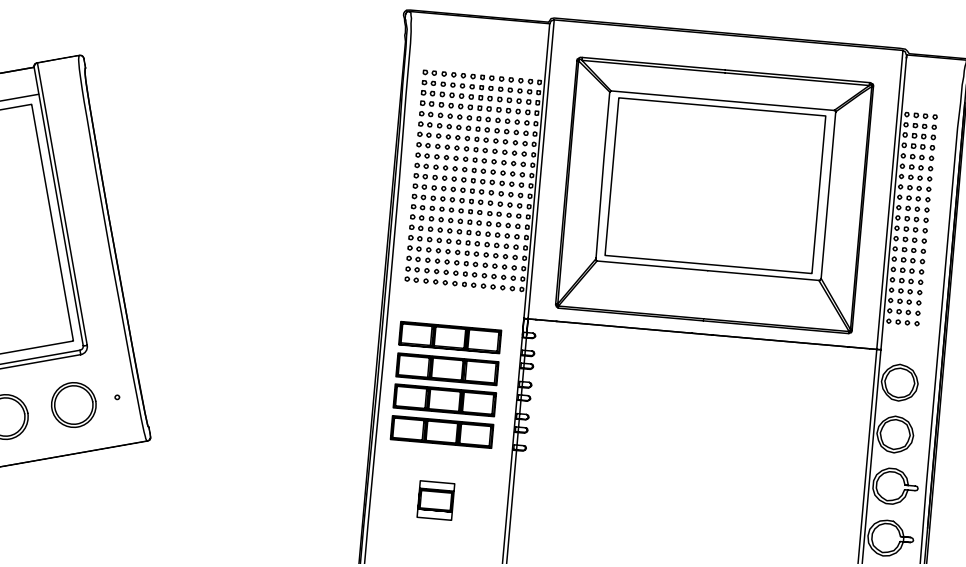
High performance door entry system

A Group Brand | **legrand**



bticino





INDEX

General features	4
Devices	10
Software	18-19
Solution for multi-storey buildings	20
Solution for a building complex	21-22
Compatibility with the 2 wire door entry system (inside the apartment)	23
Solution for a single house	24
Solution for a group of houses	25
Catalogue	26
Dimensions	30

High performances



The BTicino D45 DOOR ENTRY SYSTEM consists of five main components: entrance panels, indoor audio and video handsets, porter handsets, porter switchboard, accessories and power supply. It is a security monitoring system using serial devices connected using DIGITAL BUS technologies. The system is designed to perform such functions as call, doorbell, conversation, monitor, unlock, network and alarms,

by connecting riser systems to system network devices. The porter switchboard is used as the management and control centre for the entire system. With the smart power supply for the whole system, devices detect the power load status automatically so that they can switch to power saving mode if necessary. Approximately 70% less copper is used, thus reducing the environmental impact.



HIGH PERFORMANCE

The system automatically equalizes and amplifies the video signals, providing high quality video performance even with long cable runs. No intermediate amplifier is needed for video: B/W video signals can reach up to **2 km** and colour video signals can reach **1 km**.

INSTALLATION OF UP TO:

4000	<i>Apartments</i>
800	<i>Handsets per riser</i>
80	<i>Entrance panels per riser</i>
16	<i>Porter switchboards</i>
100	<i>Riser shunts</i>
1 km	<i>Distance for colour video installation</i>
2 km	<i>Distance for B/W video installation</i>



Simplicity

The D45 SYSTEM simplifies installation in residential complexes with a large number of apartments.

UTP cables and RJ45 connections for all the devices enable quick, easy installation for both backbone and riser devices.



SYSTEM ACCESSORY



CABLE WITH RJ45 CONNECTOR

The use of UTP cables and RJ45 connectors is easy and economical compared to traditional cable installations. In large applications it makes a significant difference to the total price. The system is suitable for the varying requirements of different sized installations on risers or on building or TCP/IP networks, providing the most economical system for the project.

Innovative security functions

In addition to the standard functions of door entry systems, the D45 SYSTEM provides new, innovative security functions including: ability to connect alarms to handsets which can be sent directly to the porter switchboard (if present), SOS button, intercom between all riser apartments and anti-tamper function on handsets, and centralisation of alarm records on porter switchboard.



- SOS PUSHBUTTON ON ALL INDOOR HANDSETS
- INTERCOM BETWEEN ALL RISER APARTMENTS
- ANTI-TAMPER FUNCTION ON INDOOR HANDSETS
- POSSIBILITY TO CONNECT AN ADDITIONAL CAMERA TO SWITCHBOARD



Porter switchboard as complete alarm management device: functions for receiving, recording and storing alarms.

International design

The international design of the devices combined with the technological expertise of the Legrand Group makes them the perfect choice for modern homes. The elegant design and slim, compact shape make the indoor devices suitable for any type of home.

5.6" HANDS-FREE

4" HANDS-FREE



From D45 system installation



Integration with 2-wire door entry system

The D45 SYSTEM can be integrated and combined with BTicino 2-wire video door entry and MY HOME automation systems in order to create 2-wire technology risers and install the entire range of BTicino advanced colour video handsets inside the apartments.



■ 2 WIRE DOOR ENTRY SYSTEM INSIDE THE APARTMENT

■ MY HOME AUTOMATION APPLICATIONS INSIDE THE APARTMENT



**D45
2 WIRE INTERFACE**



Entrance panels

DIGITAL ENTRANCE PANEL

Zamak alloy die-cast panel with luxurious, elegant appearance. The keyboard is designed with stable function mechanical pushbuttons and is used to call and communicate directly with the indoor unit. With a blue night light display and colour camera.



Keyboard with automatic night light

MAIN FEATURES OF THE ENTRANCE PANEL:

- All door entry functions, including monitoring, call, conversation, unlock, etc.
- Volume adjustment
- Blue LCD backlight and LCD display to guide user operation
- Downloadable address book
- Visitors can call the indoor unit and the porter switchboard
- Anti-removal alarm
- Colour CCD camera can be adjusted for optimum performance
- Software can be updated with no need to open the cover
- Keyboard is designed with an automatic night light
- Automatic alarm when door open too long
- Video menu settings
- CCD super-bright LED light compensation
- Parameters of the entry panels can be set
- Unlock with password
- Protection index IP54
- Protection index against mechanical impact IK07



■ SMALL COLOUR ENTRANCE PANEL

The independent small video entrance panel is for installation on the front of the apartment door. This aluminium alloy panel brings luxury and a classic design, and provides the following functions: mechanical pushbutton with stable performance, ability to call and communicate directly with the indoor unit. Colour camera.



MAIN FEATURES OF THE ENTRANCE PANEL:

- Aluminium alloy panel
- Protection index: IP 54
- Protection against dust
- User-friendly design
- Double verified intercom calls



Handsets

7" HANDS-FREE COLOUR VIDEO HANDSET

Colour indoor unit with alarm function, with 7 inch TFT LCD screen, capacitive touch pushbuttons, 8 defence area alarming, wall-mounting and super-slim frame. This is a unique, innovative model with a modern, stylish design.



7" colour monitor



MAIN FEATURES:

- 7" low power consumption LED backlit LCD display
- High strength ABS plastic case
- Attractive, easy-clean acrylic pushbuttons
- Complete door entry functions with alarm management
- 12 different ring tones selectable for different call types
- Overvoltage protection
- Wall-mounting



■ **5.6" HANDS-FREE COLOUR VIDEO HANDSET**

Colour indoor unit with alarm function, with 5.6 inch TFT LCD screen, acrylic pushbuttons, SOS pushbutton, 8 defence alarming area, wall-mounting. Italian design for an international device.



5.6" colour monitor



MAIN FEATURES:

- 5.6" low power consumption LED backlit LCD display
- High strength ABS plastic case
- Attractive, easy-clean acrylic pushbuttons
- Keyboard for intercom function
- Complete door entry functions with alarm management
- International standard red SOS pushbutton
- 12 different ring tones selectable for different call types
- Surge protection
- Wall-mounting



SOS red pushbutton



Handsets

BLACK & WHITE VIDEO AND AUDIO HANDSETS

BTicino offers 8 defense alarm areas black and white indoor video handsets with alarm function. These attractively designed units provide full functions for first-class security, making them the ideal choice for the modern home. An indoor audio unit is also available as an additional handset.



4" black & white monitor

HANDS-FREE BLACK & WHITE VIDEO HANDSET:

- High strength ABS plastic case
- Door entry functions: intercom, porter switchboard call, door lock pushbutton
- Keyboard for intercom function
- External SOS switch option
- Overvoltage protection
- Wall-mounting
- Hands-free
- 4 inch low power consumption CRT monitor





TRADITIONAL BLACK & WHITE VIDEO HANDSET:

- 4 inch low power consumption CRT monitor
- High strength ABS plastic case
- Complete door entry functions with alarm management
- International standard red SOS pushbutton
- Overvoltage protection
- Wall-mounting



AUDIO HANDSET:

- High strength ABS plastic case
- Door entry functions: intercom, porter switchboard call, door lock pushbutton
- External SOS switch option
- Overvoltage protection
- Wall-mounting



Porter switchboard

PORTER SWITCHBOARD

BTicino provides a table-top porter switchboard for management and supervision of all standard door entry functions, including building alarm management. The icon menu makes the switchboard easy and intuitive to use.



7" colour monitor



MAIN FEATURES OF THE PORTER SWITCHBOARD:

- 7" LCD colour monitor
- Icon menu with simple, intuitive interface
- Table-top installation
- Full door entry functions with entrance panels and indoor handsets
- Complete alarm management: receiving, recording and storage of alarms
- Supervision system for the whole installation
- Alarm query management system
- Management of video surveillance cameras
- Management of SOS call records
- Management of call records
- Possibility to connect an additional COAX camera



Accessories

SYSTEM ACCESSORIES

The main accessories and interfaces are in DIN rail mounting plastic housings for quick, easy installation. The power supplies for the system are in wall-mounting metal housings.



Practical and safe design – Dust protection cover



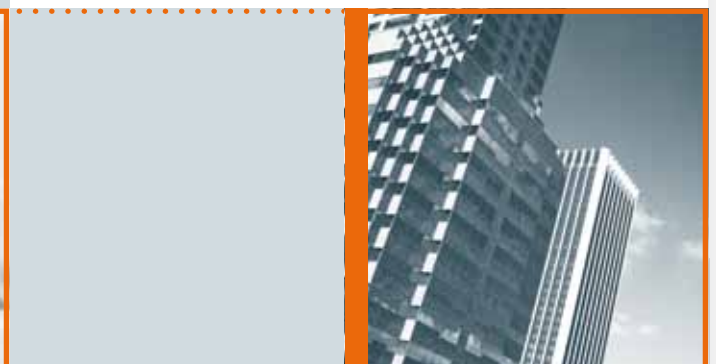
DIN rail mounting



Standard connections



Metal housing for power supplies

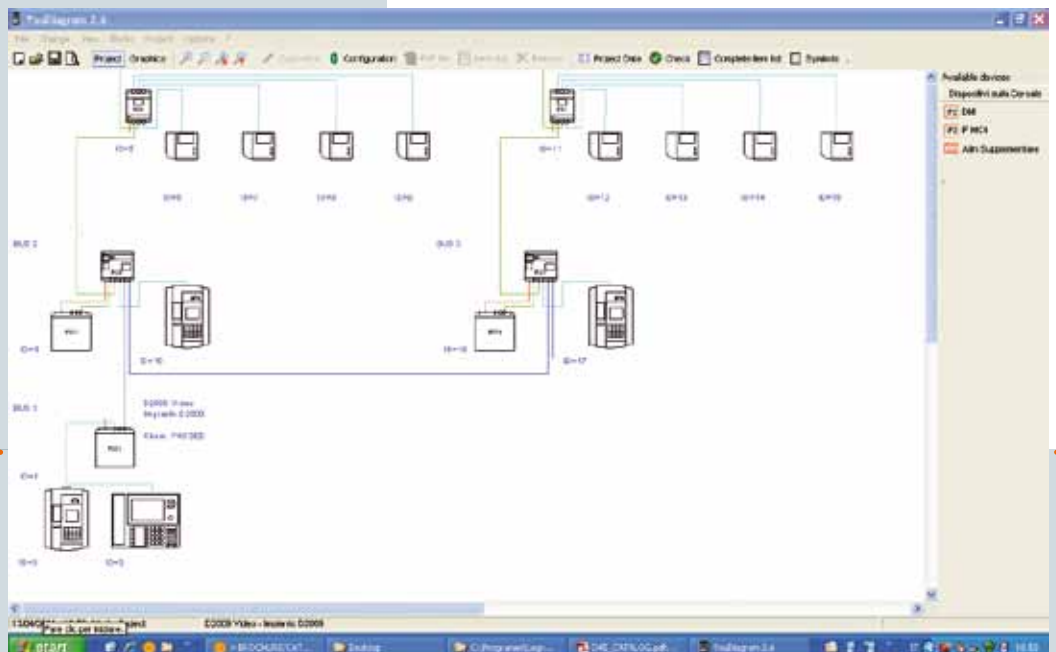
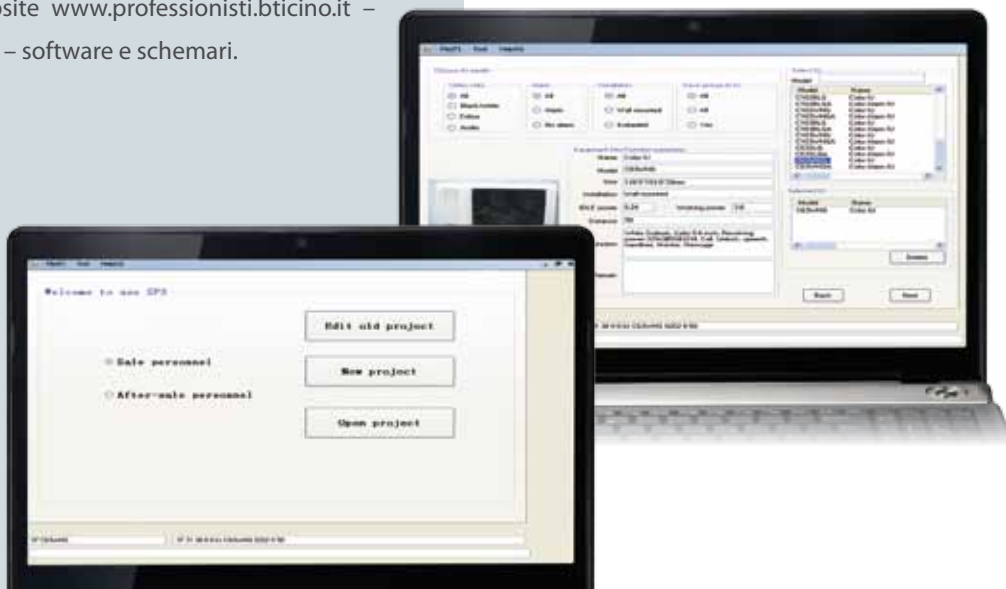


Pre-sales software

SF3 AND YOU DIAGRAM SOFTWARE

SF3 is the D45 design and pre-sales wizard utility that can be integrated with the existing YouDiagram software. It is intended for professionals to use at the design and costing stages for installation design, selection of devices, configuration and validation of the BUS current consumption.

The **YouDiagram** software can be downloaded from the Italian website www.professionisti.btcicino.it – Servizio tecnico – software e schemari.



Configuration

SYSTEM CONFIGURATION

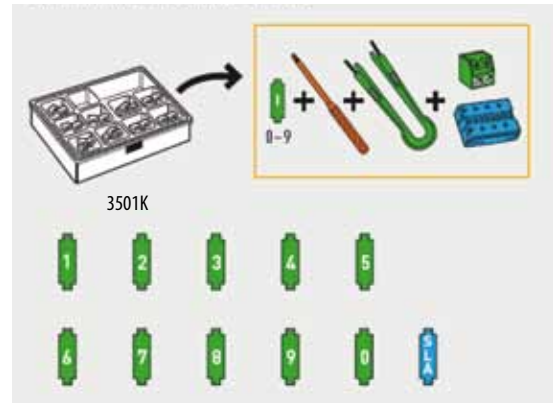
Configuration address codes are the numbers used by residents, visitors and porter switchboard operators to identify the apartments or houses in the installation. The D45 SYSTEM uses these codes for every call in the installation. Each indoor unit (apartment or house) in the installation must have an address code in order to be called by visitors and by the porter switchboard.

The configuration must be designed at the project stage in order to:

- Select the numbers for each function (a design/project activity)
- Teach the physical device its configuration (an installation activity)

Both of these activities can be carried out using a PC with the SF2 software, although it is not essential for either. The more complex a system becomes (in terms of topology and/or user functions required) the more helpful it is to use a PC for these activities.

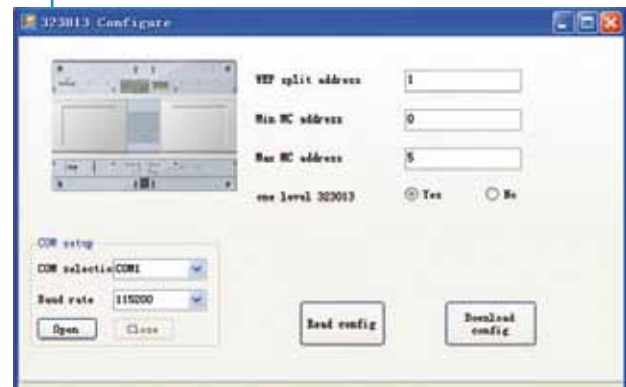
An identification and operational mode number is assigned to each device by inserting configurators (numbered from 0 to 9) in the appropriate housings using the clamp in the configurator kit (3501K), or using the keyboard or pushbuttons on the devices, or using the SF2 configuration software (downloading files via the serial interface).



Physical configurators

EXAMPLE OF SF2 CONFIGURATION SOFTWARE SCREENSHOTS:

SF2 is the configuration software for the main system devices. It enables quick, easy configuration for enhanced devices.



For complete technical information see "D45 System - System technical guide"



Solution for multi-storey buildings

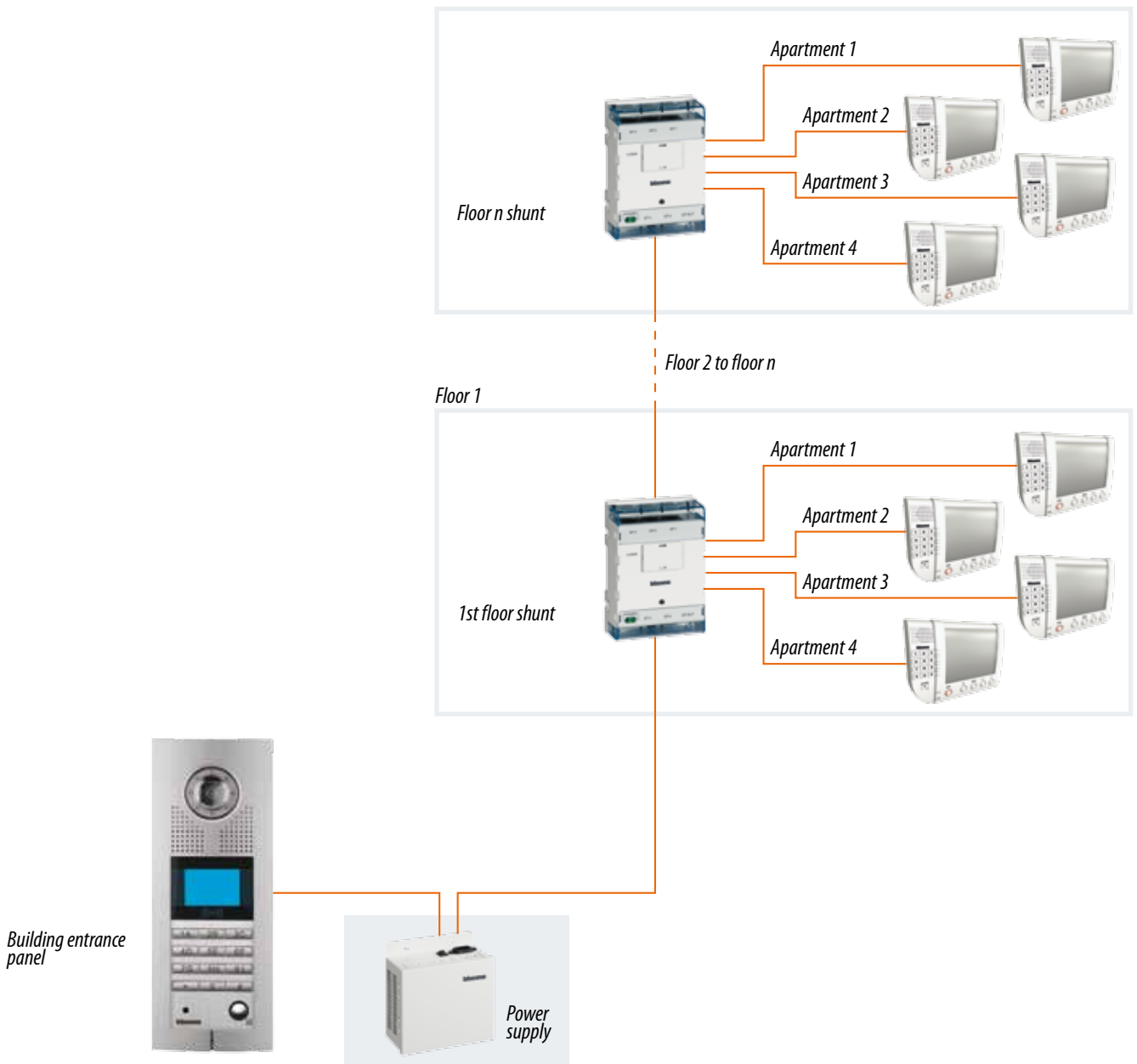
■ EXAMPLE 1 - BASIC SOLUTION FOR MULTI-STOREY BUILDINGS

Basic solution with a small number of system accessories and easy, straightforward wiring connection.

Any of the D45 SYSTEM indoor handsets can be installed.



— CAT5 connection

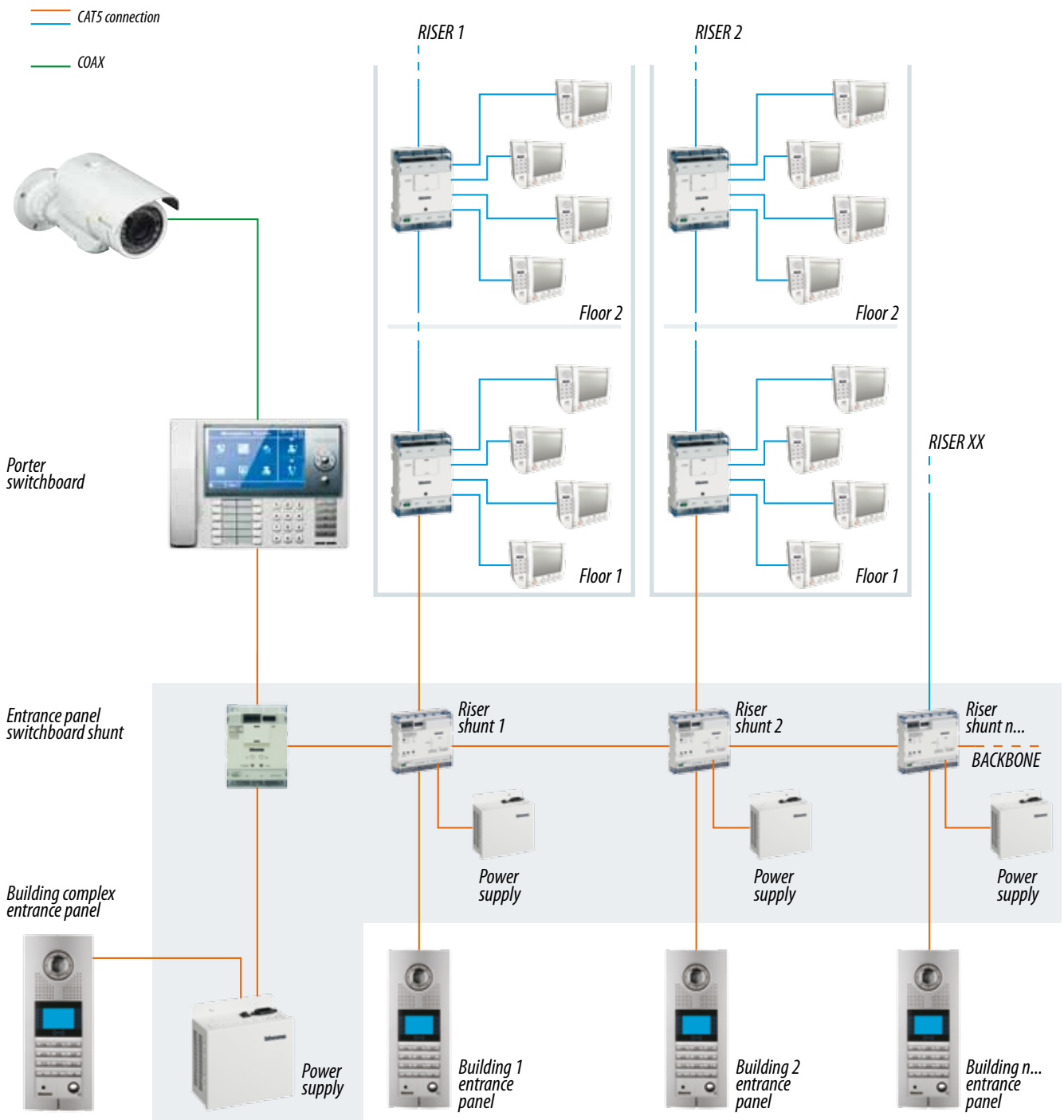


Solution for a building complex

EXAMPLE 2: SOLUTION FOR A BUILDING COMPLEX WITH 1 PORTER SWITCHBOARD

Multi-riser solution with main entrance panel, one porter switchboard and a secondary entrance panel in each building.

Any of the D45 SYSTEM indoor handsets can be installed.



Solution for a building complex

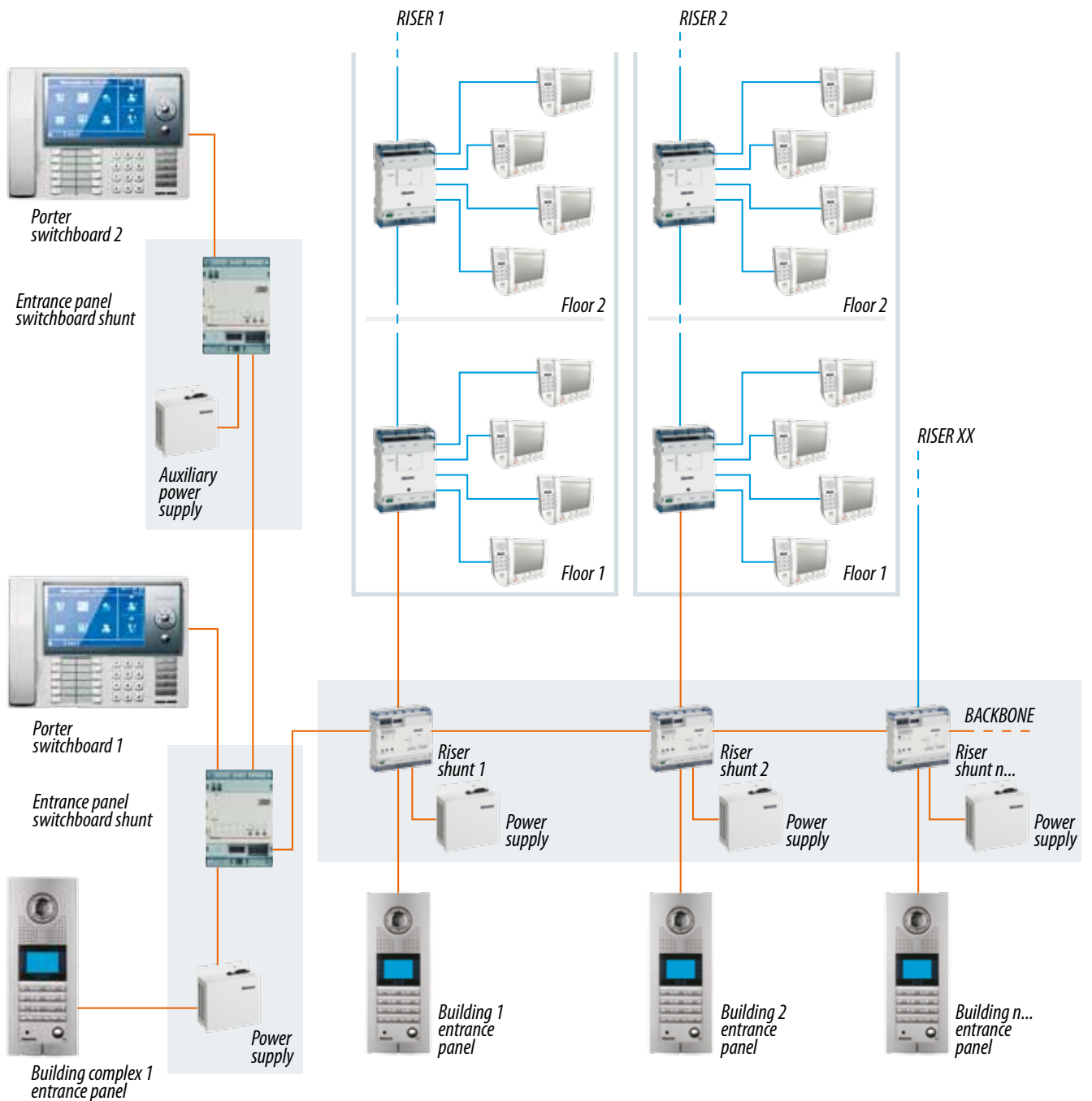
EXAMPLE 3: SOLUTION FOR A BUILDING COMPLEX WITH 2 OR MORE PORTER SWITCHBOARDS

Multi-riser solution with main entrance panel, two or more porter switchboards and a secondary entrance panel in each building.

Any of the D45 SYSTEM indoor handsets can be installed.



— CAT5 connection

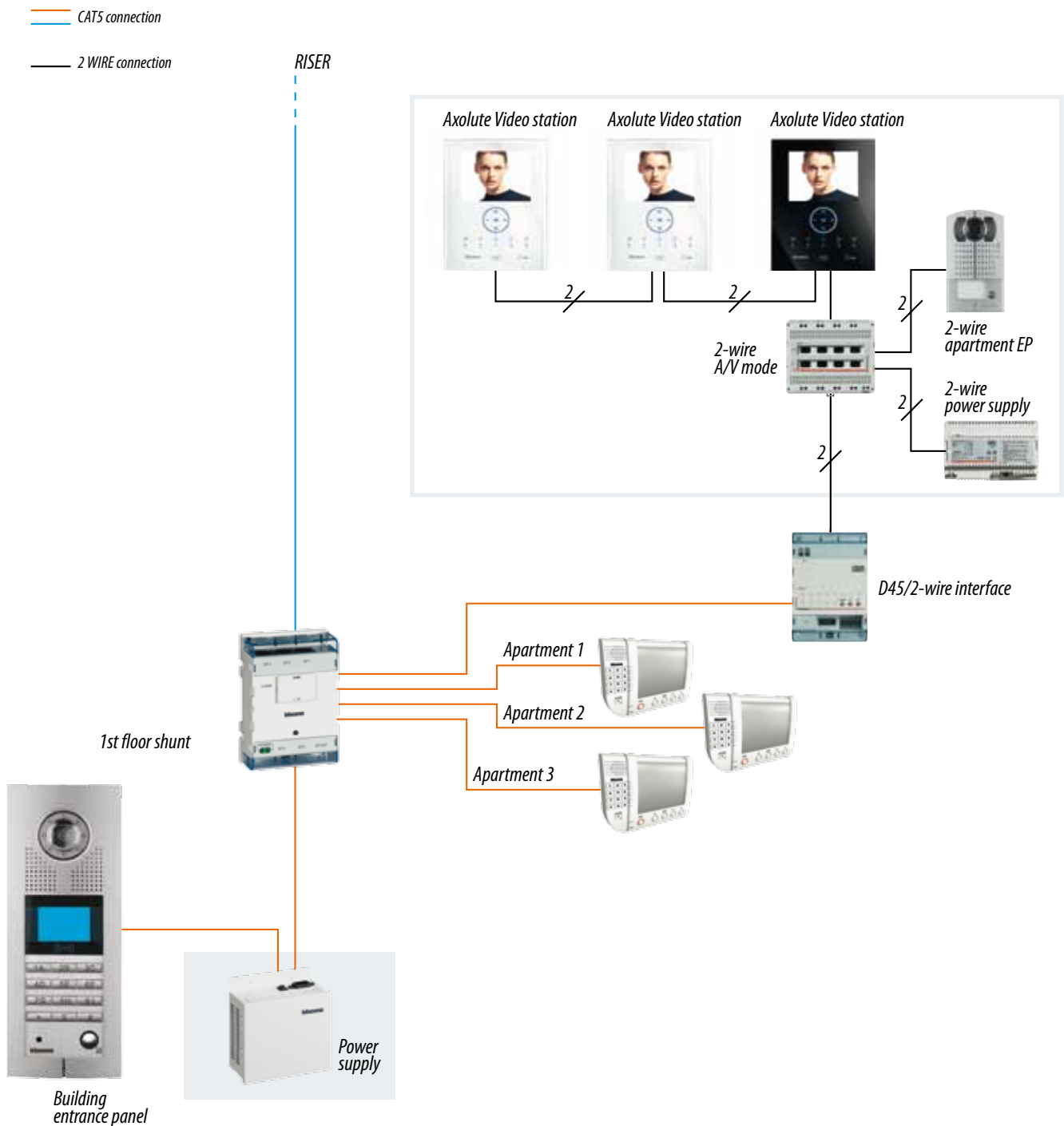


Integration with 2-wire system

EXAMPLE 4: COMPATIBILITY WITH BTICINO 2-WIRE SYSTEM INSIDE THE APARTMENT

The mixed BTicino D45/2-wire solution enables a 2-wire door entry system to be installed (inside the apartment).

Any 2-wire system indoor handsets can be installed.



Solutions for houses

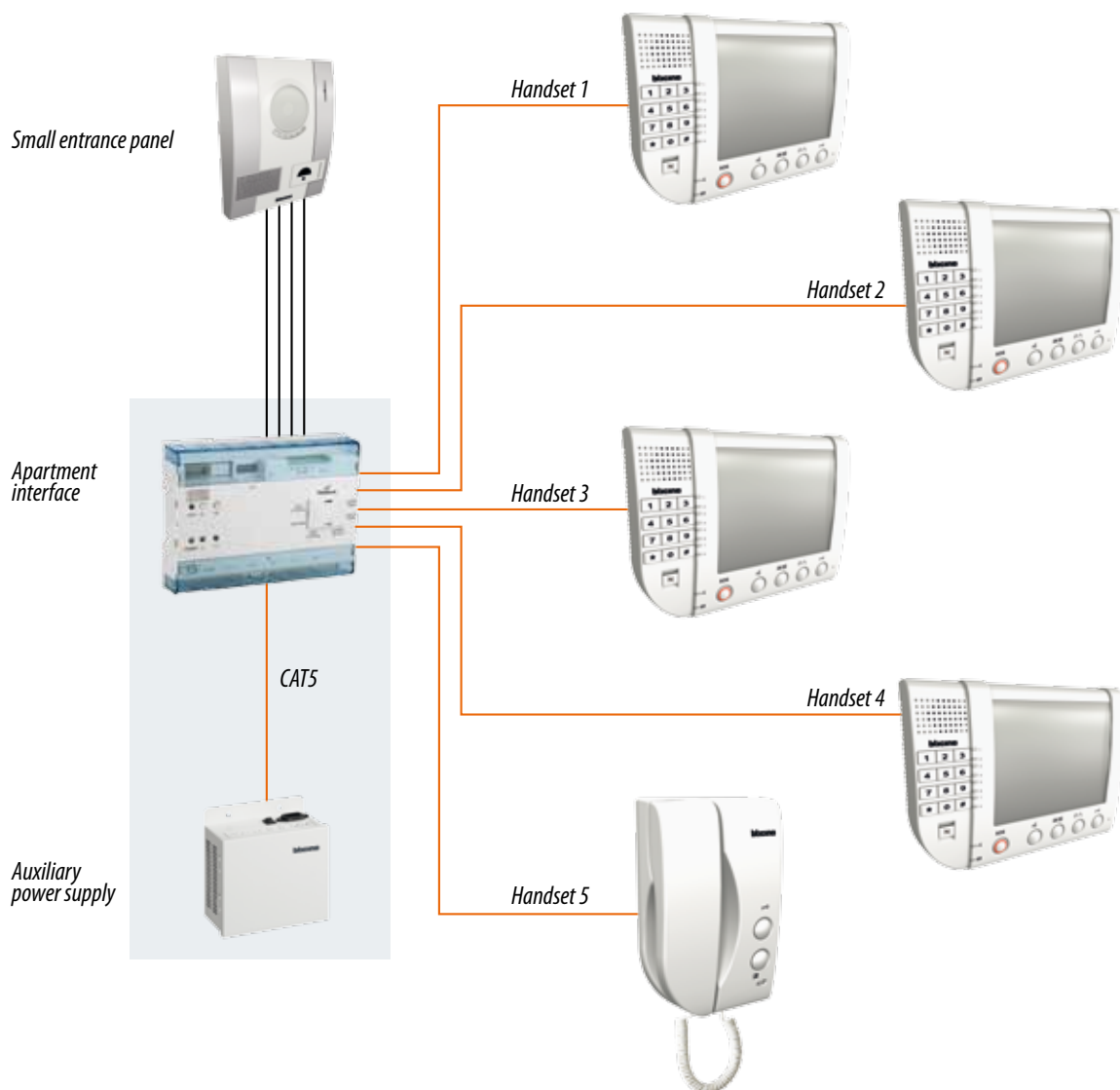
EXAMPLE 5: SOLUTION FOR A SINGLE HOUSE

Solution for a single house with dedicated entrance panel and ability to connect up to 5 audio/video intercom handsets.

Any of the D45 SYSTEM indoor handsets can be installed.



- CAT5 connection
- 4-wire analogue connection



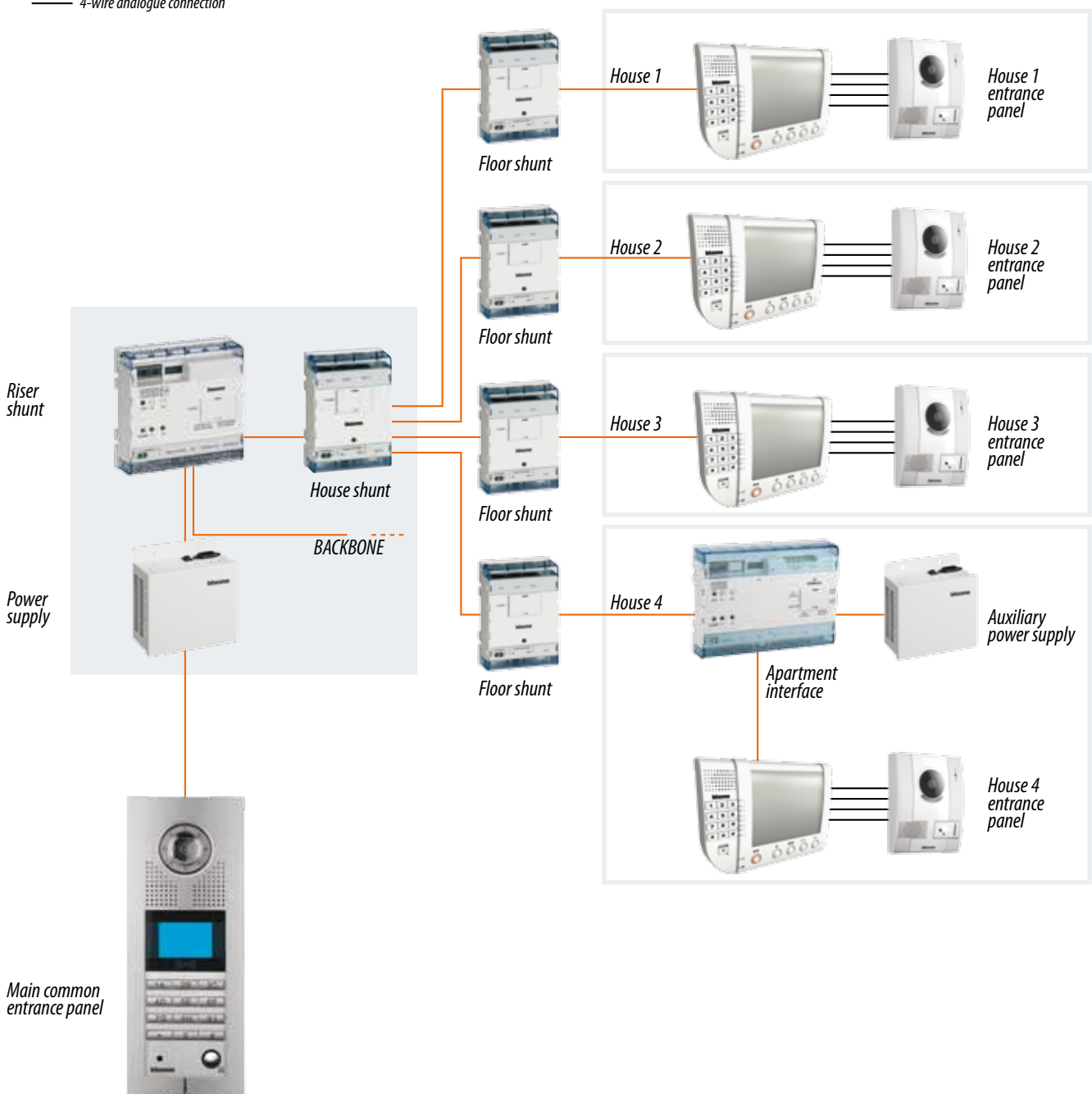
Solution for a group of houses

EXAMPLE 6: SOLUTION FOR A GROUP OF HOUSES

Solution for a group of houses with a common main entrance panel and a distribution accessory which allows up to 4 houses to be connected, with intercom function and an entrance panel in each house.

Any of the D45 SYSTEM indoor handsets can be installed.

- CAT5 connection
- 4-wire analogue connection





INDEX

D45 SYSTEM

Catalogue index

Entrance panels _____	27
Colour indoor handsets _____	27
Black & white indoor handsets _____	27
Audio handset _____	27
Porter switchboard _____	27
System accessories _____	28
Power supplies _____	28
Configurators _____	29

Catalogue



322010



322020



322050



321010

Cat. Nos.	ENTRANCE PANELS
322010	<p>Digital colour entrance panel</p> <p>Zamak alloy digital entrance panel with keyboard, LCD display and colour camera. Equipped with door open and burglar alarm notification. Configuration screen menu and software upgrade without dismantling the device. Flush-mounting box supplied.</p>
322020	<p>Small colour entrance panel</p> <p>Aluminium alloy small entrance panel to be installed on the front of the apartment door. Touch-sensitive pushbutton for calling indoor handsets and direct conversation. Double verified intercom calls. Protection index IP54. Surface-mounting.</p>

Cat. Nos.	COLOUR INDOOR HANDSETS
322050 (*)	<p>7 inch hands-free colour handset</p> <p>Colour unit with alarm function, equipped with 7 inch TFT LED backlit screen. Functions: standard door entry, door open pushbutton and call to porter switchboard. 12 different ring tones (selectable). Super-slim frame for wall-mounting</p>
321010	<p>5.6 inch hands-free colour handset</p> <p>Colour unit with alarm function, equipped with 5.6 inch TFT LED backlit screen. Functions: standard VDE, door open pushbutton and call to porter switchboard. Red SOS pushbutton available. 12 different ring tones (selectable). Wall-mounting</p>

Cat. Nos.	PORTER SWITCHBOARD
323001	<p>Table-top porter switchboard</p> <p>Switchboard device with high resolution 7 inch LCD display and icon menu. Able to communicate with handsets, entrance panels and other devices. Manages incoming calls and alarms. Can store thousands of call and alarm records. Provides quick message retrieval using handset addresses. Table-top installation.</p>

Cat. Nos.	BLACK & WHITE INDOOR HANDSETS
321020	<p>Hands-free black & white indoor handset</p> <p>Black & white handset with alarm function, equipped with 4 inch CRT screen. Functions: standard door entry, door open pushbutton and call to porter switchboard. Red SOS pushbutton available. Wall-mounting</p>
321030	<p>Traditional black & white indoor handset</p> <p>Black & white handset with alarm function, equipped with 4 inch CRT screen. Functions: standard door entry, door open pushbutton and call to porter switchboard. Red SOS pushbutton available. Wall-mounting</p>

Cat. Nos.	AUDIO INDOOR HANDSET
322040	<p>Audio handset</p> <p>Basic audio handset with door open pushbutton. Compact size and low power consumption. Wall-mounting</p>

Note (*): available soon



323002



323003



323005



323009

Cat. Nos.	SYSTEM ACCESSORIES
323002	<p>Floor shunt</p> <p>This is used to convert video signals on the BUS to transfer mode and then distribute them to the connected handsets. Device to be installed between floors. Each floor shunt can be connected to 4 handsets. DIN rail installation</p>
323003	<p>Riser shunt</p> <p>This is used to connect the riser BUS and system BUS in order to obtain BUS separation, transfer signals and switch between video and audio channels. The video transfer distance can be increased by setting the gain adjustment dip switch. DIN rail installation.</p>
323008 (*)	<p>Basic apartment interface</p> <p>This device must be used when the apartment has 2 or 3 handsets. The interface must be installed between the floor shunt (323002) and the indoor handsets. DIN rail installation.</p>
323009 (*)	<p>Apartment interface</p> <p>Device used to expand the number of indoor handsets and add a Small entrance panel. Each device can connect 5 handsets and 1 entrance panel, providing the intercom function and call or monitor function of the entrance panel. DIN rail installation.</p>
323018 (*)	<p>EP/Switchboard shunt</p> <p>DIN device used to connect the entrance panel and the switchboard to the system. The device automatically switches over the video channels. DIN rail installation.</p>
323019 (*)	<p>System expansion interface</p> <p>Device used to extend the riser system when there are more than the limit of 400 handsets on the riser. The interface can increase this limit to 800 handsets. This device is also used to adjust the video gains and improve video transmission quality. DIN rail installation.</p>

Cat. Nos.	SYSTEM ACCESSORIES
323007	<p>2-way video splitter</p> <p>This device splits the BUS signal into two channels where the video signal can only be transferred from input to output. It provides compensation to the two channels separately and adapts the video signal output from the entrance panel for different distances via settings. Mainly used in riser systems to divide the riser BUS into several channels to adapt the cabling. DIN rail installation.</p>
323004	<p>Entrance panel video mixer</p> <p>This device can mix signals coming from 5 entrance panels. The video transfer distance can be adjusted by setting the gain adjustment dip switch. DIN rail installation.</p>
323005	<p>Power supply</p> <p>System power supply unit able to supply power on the data communication cable and simultaneously provide impedance matching for the audio channel. Protected against short circuits: if there is a DC output short-circuit, the device will switch to protected mode. Once the problem has been resolved, it will return to normal status automatically. Can also be set up to operate as an auxiliary power supply. Wall mount installation.</p>
323010 (*)	<p>Auxiliary power supply</p> <p>Auxiliary power supply protected against short circuits: if there is a DC output short-circuit, the device will switch to protected mode. Once the problem has been resolved, it will return to normal status automatically. Wall mount installation.</p>
323015 (*)	<p>Door lock accessory</p> <p>This device is used to operate electric locks, in particular commonly used 12 V cathode locks. When the opening current of an anode lock is over 1 A, this device is also required to operate anode locks. It is generally connected to the EP to obtain the lock open control signal. It is also possible to open locks by means of external manual switches. You can select the type of electric lock via the jumper configuration line. DIN rail installation.</p>



346858



323016



323013



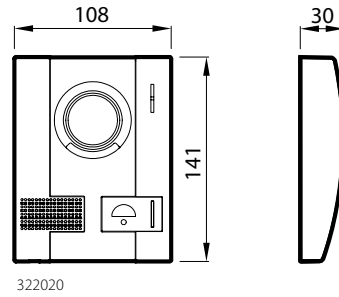
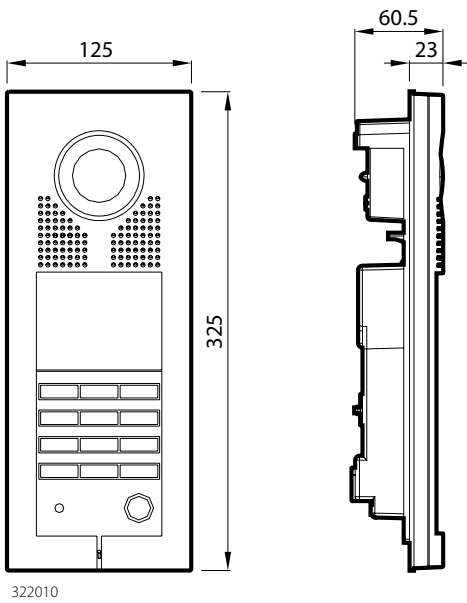
323012

Cat. Nos.	SYSTEM ACCESSORIES
323016 (*)	<p>House shunt</p> <p>This device can distribute video, audio and data signals from the BUS to the floor shunt (323002) connected to it, so that the signals from the BUS unit can reach the maximum distance of 200 metres, for the specific requirements of houses. The device should be installed in the low voltage subscriber unit in the house. DIN rail installation.</p>
323013 (*)	<p>District generator</p> <p>This device is the district hub which can be connected to 4 riser shunts (323003), one entrance panel, one porter switchboard and one system power supply. It enables a large network to be created. This device controls and changes video channels and provides amplifying compensation for video signals. DIN rail installation.</p>
323012 (*)	<p>IP management switchboard software</p> <p>The integrated IP management software can provide the communication for calls between indoor handsets and the management centre.</p>
323020 (*)	<p>Configuration tool</p> <p>Configuration kit composed by:</p> <ul style="list-style-type: none"> - SF2 configuration software - Tool interface - Serial extension cable - Flat cable

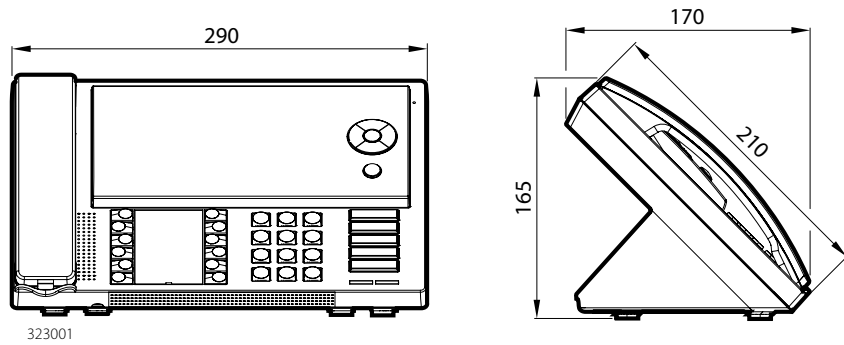
Cat. Nos.	SYSTEM ACCESSORIES
3501K	<p>Configurator kit consisting of:</p> <ul style="list-style-type: none"> - 10 of each type of configurator (from 0 to 9) - 2 green removable clamp connectors - 1 configurator insertion clamp - 1 plastic screwdriver
3501/0	Configurator 0 (pack of 10)
3501/1	Configurator 1 (pack of 10)
3501/2	Configurator 2 (pack of 10)
3501/3	Configurator 3 (pack of 10)
3501/4	Configurator 4 (pack of 10)
3501/5	Configurator 5 (pack of 10)
3501/6	Configurator 6 (pack of 10)
3501/7	Configurator 7 (pack of 10)
3501/8	Configurator 8 (pack of 10)
3501/9	Configurator 9 (pack of 10)
346858	<p>D45 to BTicino 2-wire interface</p> <p>This is a switch-over interface through which the BTicino 2-wire door entry system can be installed inside the apartment. DIN rail installation.</p>
323011	<p>D45/IP interface</p> <p>This is an IP interface which can be connected to the D45 SYSTEM and BTicino 2-wire/IP System in order to create mixed installations. DIN rail installation.</p>

Dimensions

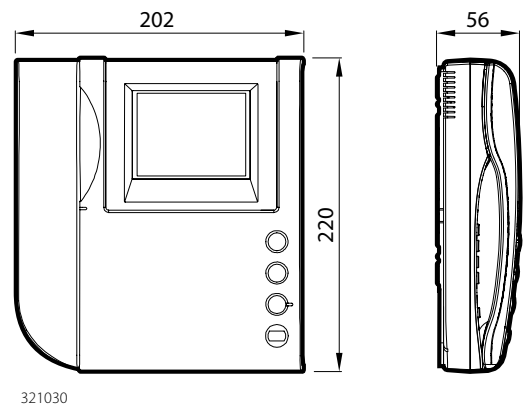
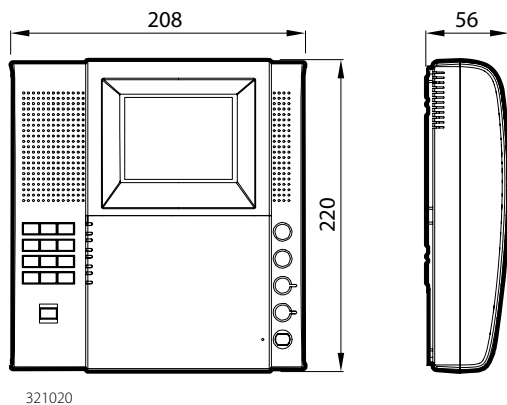
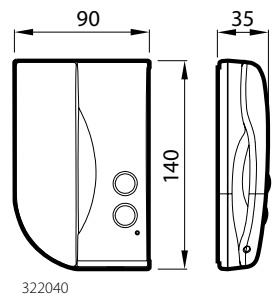
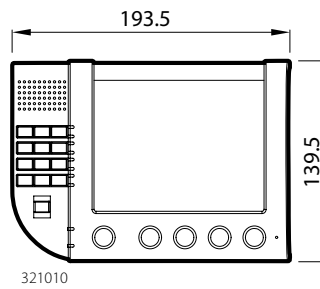
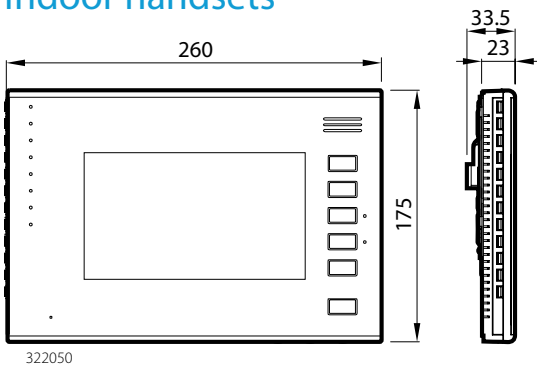
Entrance panels



Porter switchboard



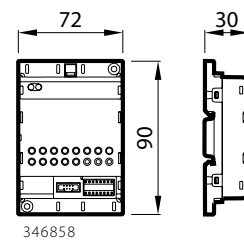
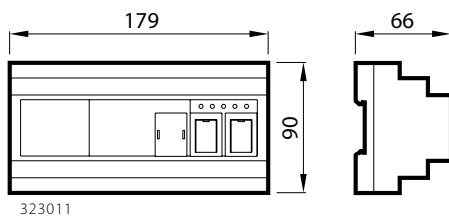
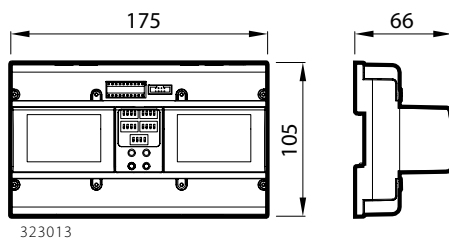
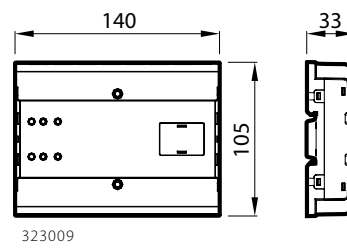
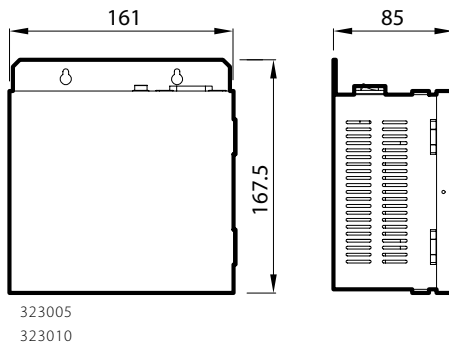
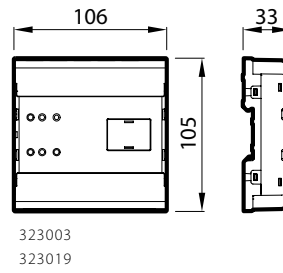
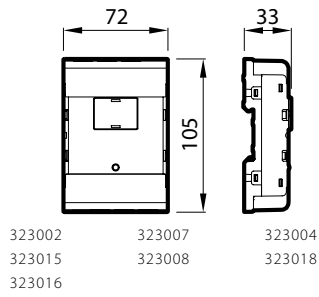
Indoor handsets



NB: All dimensions are in millimetres

Dimensions

System accessories



BTicino SpA
Via Messina, 38
20154 Milano - Italia
www.bticino.com